

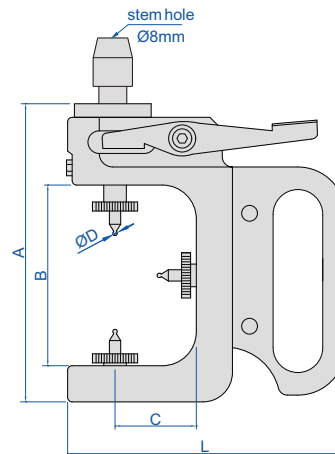
THREAD/LEAD SCREW PITCH DIAMETER SNAP GAGES

BALL TIP DIAMETER
CAN BE CUSTOMIZED

application



- Measure the pitch diameter of lead screw and external thread
- Ball tip diameter can be customized according to workpieces, diameter of trapezoidal screw or external thread ball tips $\varnothing D = 0.5 \times \text{pitch } P / \cos(\text{thread angle } \alpha/2)$; ball tips diameter $\varnothing D$ of ball screw is corresponding steel ball specification
- Probe retracting range: 3mm, measuring force: 20N
- Repeatability: 2 μ m
- Optional accessory: 0.001mm digital/dial indicators



2165-40

(mm)

Code	Range	Accuracy	A	B	C	L
2165-20	3-20mm	$\pm 5\mu\text{m}$	116	60	27	113
2165-40	20-40mm	$\pm 5\mu\text{m}$	132	80	37	123
2165-60	40-60mm	$\pm 5\mu\text{m}$	152	138	46	100
2165-80	60-80mm	$\pm 5\mu\text{m}$	172	156	59	121
2165-100	80-100mm	$\pm 5\mu\text{m}$	192	170	68	140